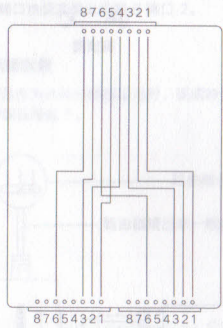


## RJ45 Connectors



- ① Data transfer Tx+
- ② Data transfer Tx-
- ③ Data receive Rx+
- ④ Spare
- ⑤ Spare
- ⑥ Data receive Rx-
- ⑦ Spare
- ⑧ Spare

## Features

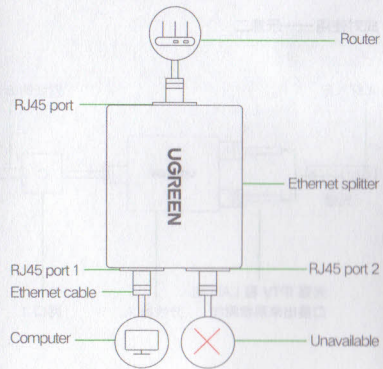
Single mode: works as Ethernet extender, gathering two Ethernet cables with limited total length of 100m to one for delivering a long-distance connection.

Paired mode: work as Ethernet splitter, transforming one Ethernet connection into two devices at the same time. Use 8-core Ethernet cable to establish a connection between Splitter A and Splitter B.

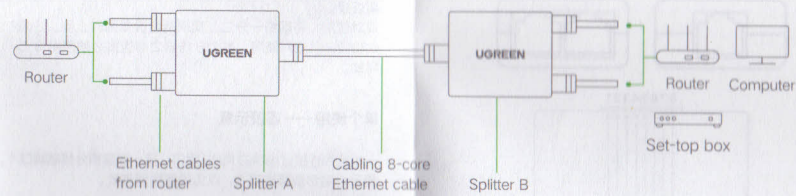
### Single Mode

Connect one Ethernet cable to the RJ45 port, and connect the other Ethernet cable to Port 1.

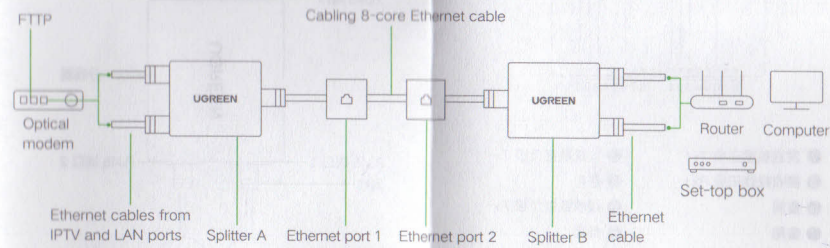
Tip: Port 2 is unavailable in this mode.



### Paired Mode 1



### Paired Mode 2



## Notices

For ensuring a correct connection and normal operation, please following

1. Connect IPTV port of modem with Port 1 of Splitter A, connect IPTV port of set-top box with Port 1 of Splitter B.
2. Connect LAN port of modem with Port 2 of Splitter A, connect LAN port of router with Port 2 of Splitter B.

### ⚠ Error

Tip: The product must be operated in pairs when serve as Ethernet splitter, or error connection shows below.

