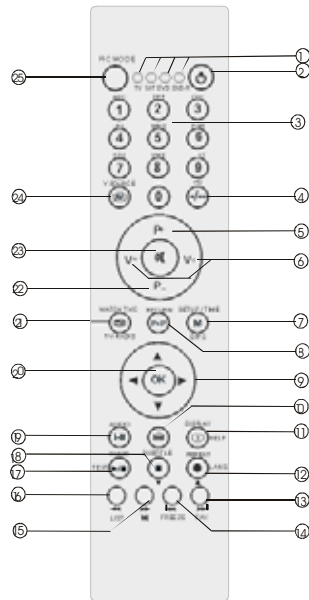


REMOTE CONTROL BUTTONS



- ① Mode selection LED
- ② ⏻ = Stand-by
- ③ 0 - 9 = Numerical keys
- ④ - / - / +10 /= Double digit
- ⑤ P+ = Program up
- ⑥ Volume down / Volume up
- ⑦ M / Setup-Time / Opts = Menu
- ⑧ / Return = Switch between two programs
- ⑨ Direction keys
- ⑩ [Text] / Subtitle = Teletext
- ⑪ [Info] / Display / Help = Info
- ⑫ Rec / Repeat / Lang / = Pip- / PC switchover
- ⑬ Blue key / [Fav] / Fav
- ⑭ Yellow key / [Freeze] / Freeze
- ⑮ Green key / [Next] / Next
- ⑯ Red key / [List] / List
- ⑰ [Pip] / Guide / Text = Pip-Pap On-Off
- ⑱ [Screen] / Subtitle = Pip+ / Screen Size
- ⑲ I-III / Audio = Mono / Stereo / Dual A-B
- ⑳ OK = Confirm
- ㉑ [TV] / Watch Tv-C / Tv-Radio /
- ㉒ P- / Program down
- ㉓ [Mute] = Mute
- ㉔ [Source] / V Source / Change source
- ㉕ RC mode

Note: Pip, Pap channel changes are made using the keys P+ ve P- for LCD TVs and the keys 12 and 18 for other CRT TVs.

REMOTE CONTROL STICKERS



5001 ZAP



PVR-DVBS



DIGITURK OPEN TV



DIGITURK PHILIPS



RC-1110

USER
MANUAL

Your TV is accurately compatible with 1110 remote control that is supplied.
Definition code of your TV to 1110 remote control is 109.

GETTING STARTED

The RC-1110 universal remote controls such home systems as Vestel DVD player or Vestel DVB sets in addition to televisions. Two new AA batteries are needed for the remote to function and a simple program installation is needed to control the TV. For best results, proceed as explained in following sections. You are recommended to keep this manual for future reference.

INSERTING THE BATTERIES

1. Remove the cover at the back of the remote.
 2. Insert two AA batteries into the battery compartment, placing them in the correct +/- direction.
 3. Slowly put the cover of the battery compartment back into place.
 4. Check the device by pressing any mode key.
- If the batteries have been placed correctly, the selected mode will be lit on the remote.

Note that the remote will not be able to perform its functions when it is time to replace the batteries. Replace the old batteries with new ones and the device will gain back its functionality along with your personal settings.

PRODUCT FEATURES AND FUNCTIONS

Use the mode keys of the remote to control any device. The remote has an RC Mode key, function keys and four LEDs. When you make a selection using these keys the selected mode key on the remote will be lit confirming your selection. For any other desired action, use the other keys of the remote.

DEFINING THE DEVICES AND USING THE REMOTE

The RC 1110 universal remote can control all Vestel remotes. However, to do this, first it must be programmed.

Programming Mode:

The programming mode is used to adapt the other remotes to be used to the RC 1110 Universal Remote.

1. To enter the programming mode, press the STANDBY and MUTE keys simultaneously for 3-5 seconds. The four LEDs will light simultaneously, indicating that the mode is entered.

2. The LED of the system last programmed flashes (factory set to TV). If you wish to program another system, you can change the mode by using the RC MODE key.

3. The RC1110 remote definition code of the flashing LED must be entered within ten seconds (see: remote control table).

4. Lit continuously, the LED confirms that the code has been entered correctly and stores it in the memory. If the code entered is wrong, the LED will go out for 2 seconds and then start to flash again. In that case, the code must be re-entered.

5. To exit the programming mode, wait for ten seconds without pressing any key.

After these steps, the RC 1110 Universal Remote will be ready for operation.

Operating Mode:

The operating mode is the mode that we will use to control the devices with the remote.

The four LEDs on the remote show the systems programmed. If any one of the LEDs is not lit, it means that system has not been adapted to the remote. For performing the adaptation, see: Programming Mode.

When you press any key on the remote the LED of that system flashes, indicating that the signal was transmitted.

To switch between programmed systems, press the RC MODE key.

If you do not wish to use the LED and system in the operating mode, you can skip them by entering the code "000" in the programming mode.

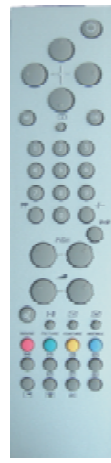
TV CONTROL LIST

Explanation: The control code defined in the list is the code of the remote of your TV. You can select any desired remote from the remote control list on this page and adapt it to your remote by following the explanations on the front and entering the RC1110 definition code.

REMOTE CONTROL CODE /
RC1110 DEFINITION CODE



1541 / 107



1543 / 109



1546 / 108



2445 / 104



2440 / 102



1542 / 106



2040 / 101



2240 / 101



3040 / 101



T-10 / 101



AVERLOGIC
/ 110



3040 / 101



1940 / 101



5040 / 101



1243 / 105



1241 / 105



2140 / 101



1540 / 101



2340 / 101



2045 / 103

REMOTE CONTROL CODE /
RC1110 DEFINITION CODE



SF047 / 210



510 / 211



PVR-S 1100 /
212



DVD / 301



DVR-T 1101 /
201



2548 / 208



DVD-AV
RECEIVER/302



DVD-R HD /
401



DIGITURK
OPEN TV / 203



2550 / 209



DVD-R / 401



RC750 / 201



RC5001 / 202



DIGITURK
PHILIPS / 203