

The television hanging bracket installs the schematic drawing

Ceiling, wall hanging, optional

Step 1: Secure the wall panel at the desired position.

Step 6: Connect the two vertical bars to the TV, and then Hang up to the motherboard.

(K/M/P)

TV

Step 7: the verticalbars and requirements Fasten wire after angle adjustment Secure.

D

Step 2: Connect pipe to the wall panel

Step 5: Main board and extension tube connection.

J

E

E

A

- | | | | | | |
|--------------|-------------------|-----------------|----------------|--------------|--------------|
| 8x65~2个
A | 8x50~3个
B | 10x16~2个
C | | | |
| 1个
D | M6x13x1.0~6个
E | M8x12x5~4个
F | 12x2.5~2个
G | | |
| M10~2个
H | M8~5个
J | 6x20~4个
K | 5x16~2个
L | 5x16~4个
M | 4x16~4个
N |

Screw List

Step 3: The thin tube is connected up to the thick tube.

J

B

Step 4: Connect the tilting with the motherboard.

Up

Up

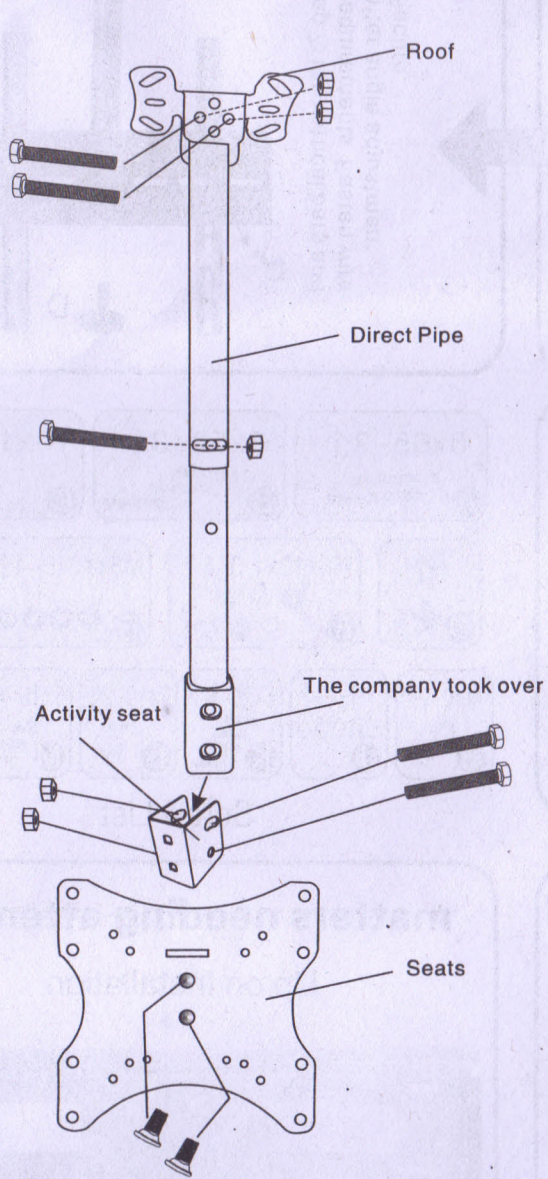
C

H

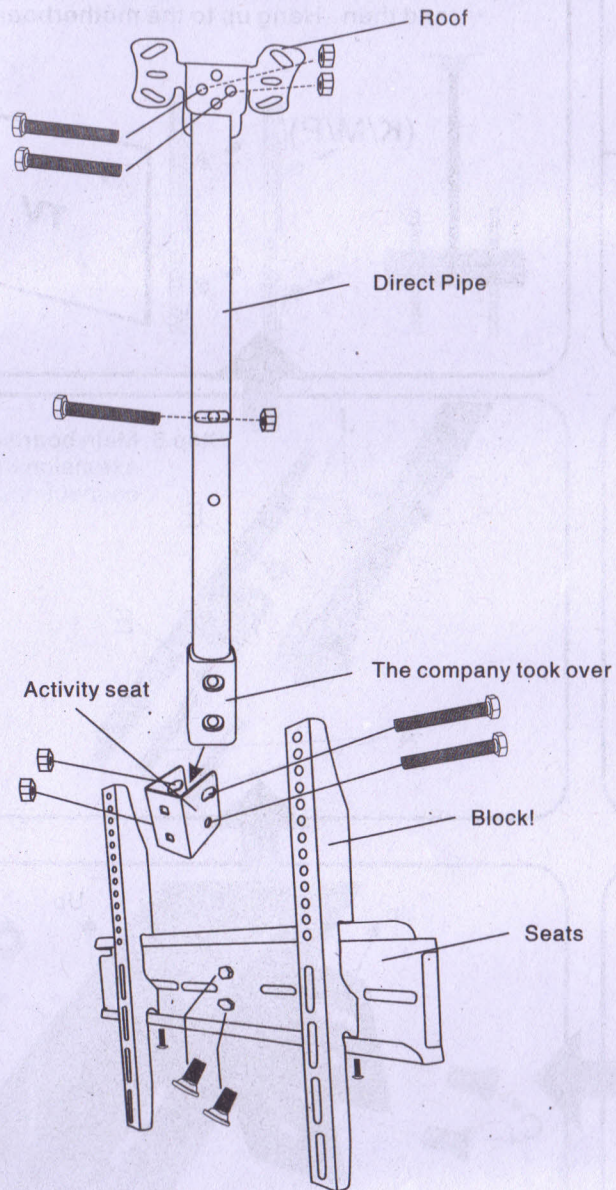
matters needing attention

Up on Installation

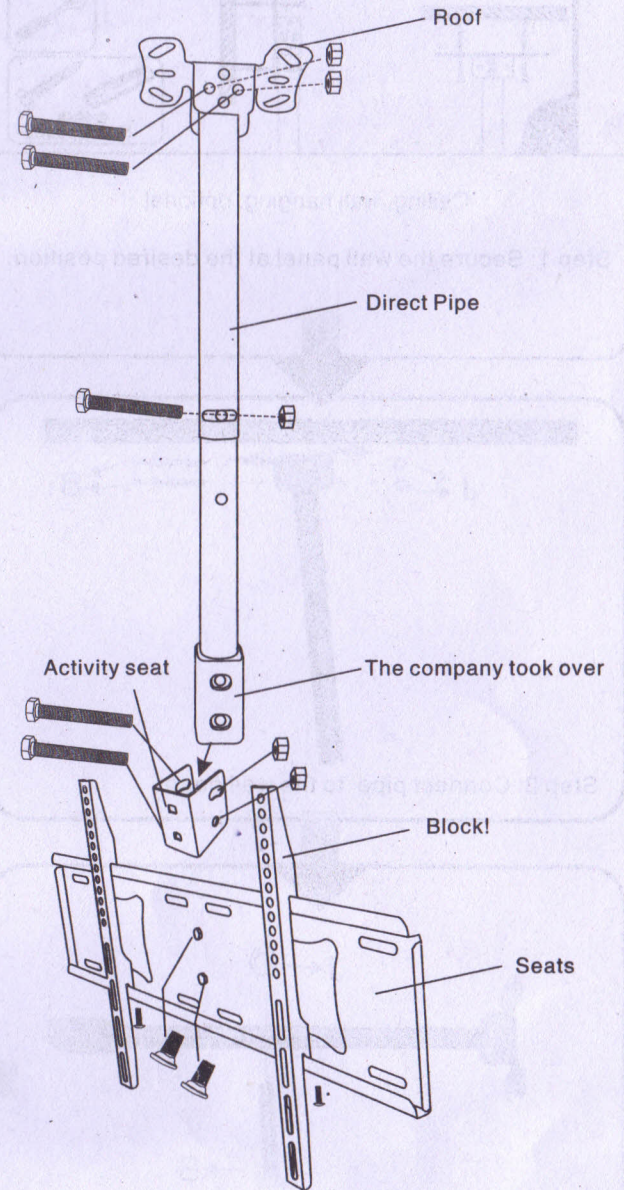
Installation diagram of universal LCD TV hanger



Applicable TV Model:14"-42".



Applicable TV Model:26"-60".



Applicable TV Model:32"-72".